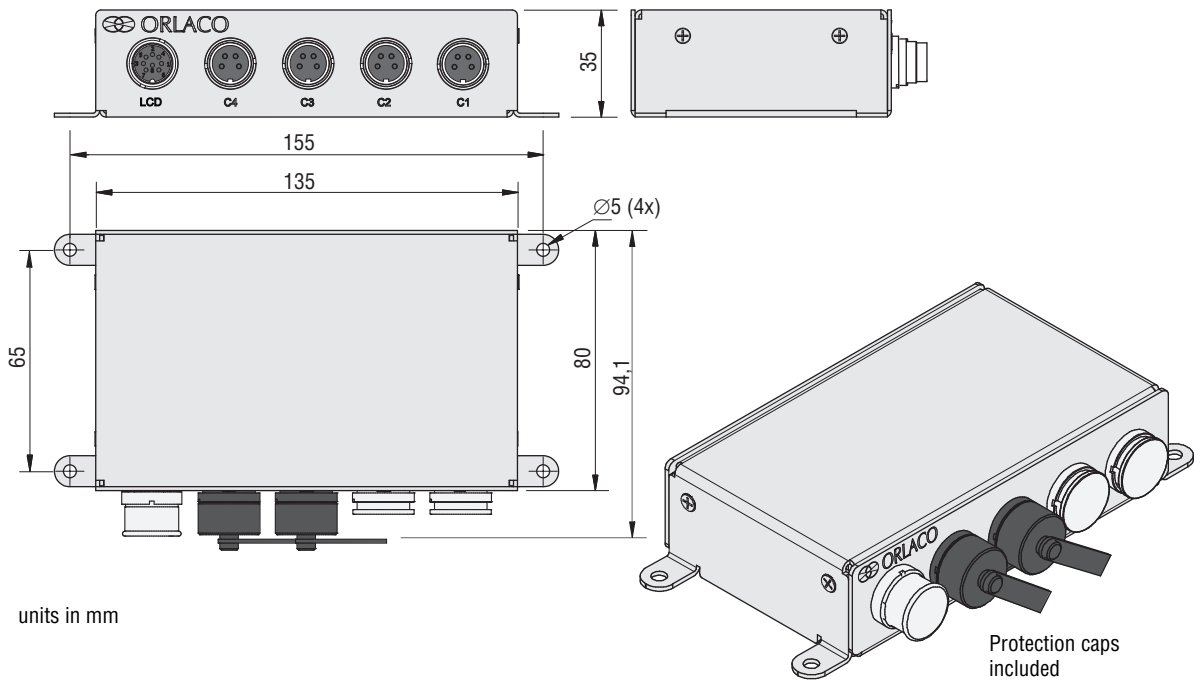


# Product Data



## Dimensions



# TECHNICAL DATA

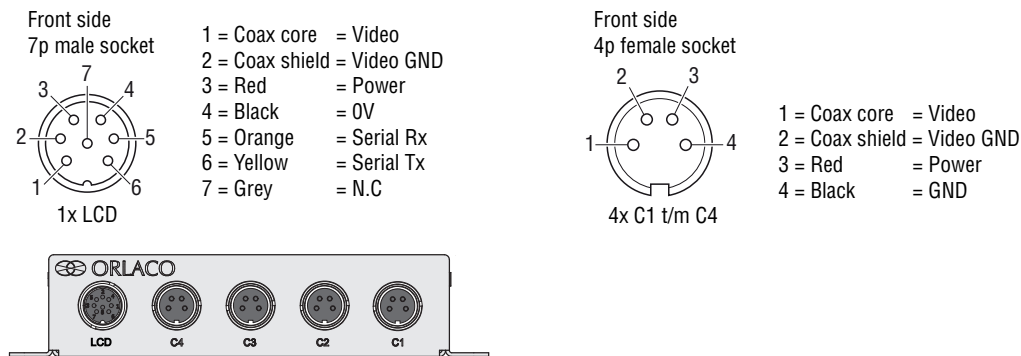
## Multiview box II

<b>Description</b>	<b>Description</b> <b>0405100</b> MultiView box is a video system for up to 4 cameras, PAL or NTSC. There are many possibilities of different split views in 5 selectable video channels. Advanced video viewing image for various camera-system configurations.
<b>Article number</b>	On Screen Display (OSD) functionality for all settings.
<b>Special features</b>	Customizing views, customizing channels, (multi) markers, boundary settings and camera text labeling.
<b>Housing</b>	Stainless steel AISI 316. The housing is isolated from the internal electronic parts.
<b>Power input</b>	Power supplied by Orlaco Monitor.
<b>Camera input</b>	C1-C4: 4x Camera input (4pin connector).
<b>Monitor output</b>	1x 7pin connector (serial) monitor output.
<b>Protection</b>	IP67 according to IEC 60529.
<b>Weight</b>	0,86kg, 1kg in standard packing.
<b>Operating temperature</b>	-40°C to +85°C.
<b>NB</b>	Cameras and monitors are not included.
<b>Documentation</b>	User manual; UM0972191

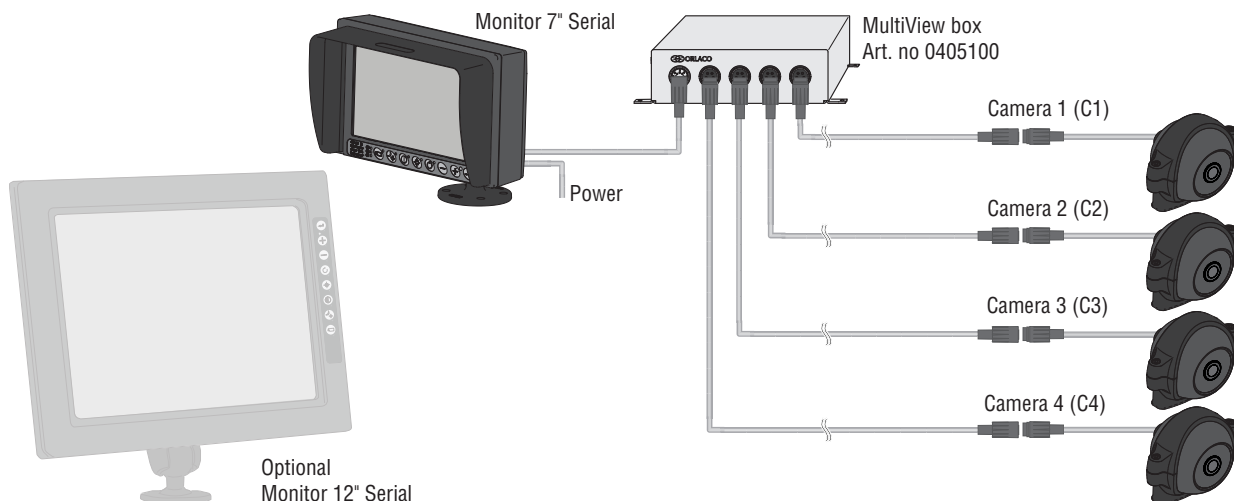
**Green Passport** All materials are compliant to Green Passport requirements according IMO resolution MEPC.197(62) as adopted on 15 July 2011 (Maritime sector: International Maritime Organization concerning the functions of the Marine Environment Protection Committee).

**NOTE:** Use only PAL or NTSC cameras. You can not connect both PAL and NTSC cameras in one system together.

### Electrical connections



### System overview example



All data subject to change without notice. All dimensions are for commercial purpose only.  
The camera/display systems from Orlaco comply with the latest CE, ADR, EMC and mirror-directive regulations, where applicable.  
All products are manufactured in accordance with the ISO 9001 quality management system, ISO/TS 16949 quality automotive, ISO 14001 environmental management systems and all Ex products with the IECEx scheme and ATEX directives, where applicable.

