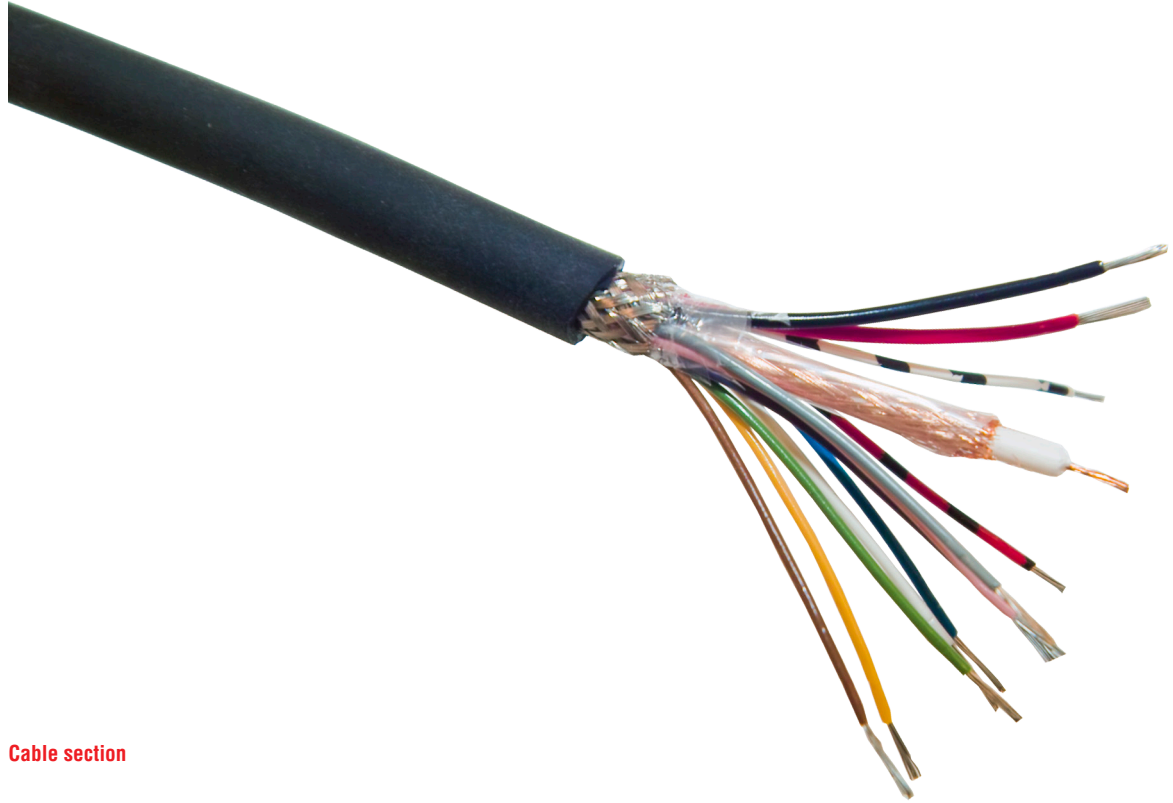


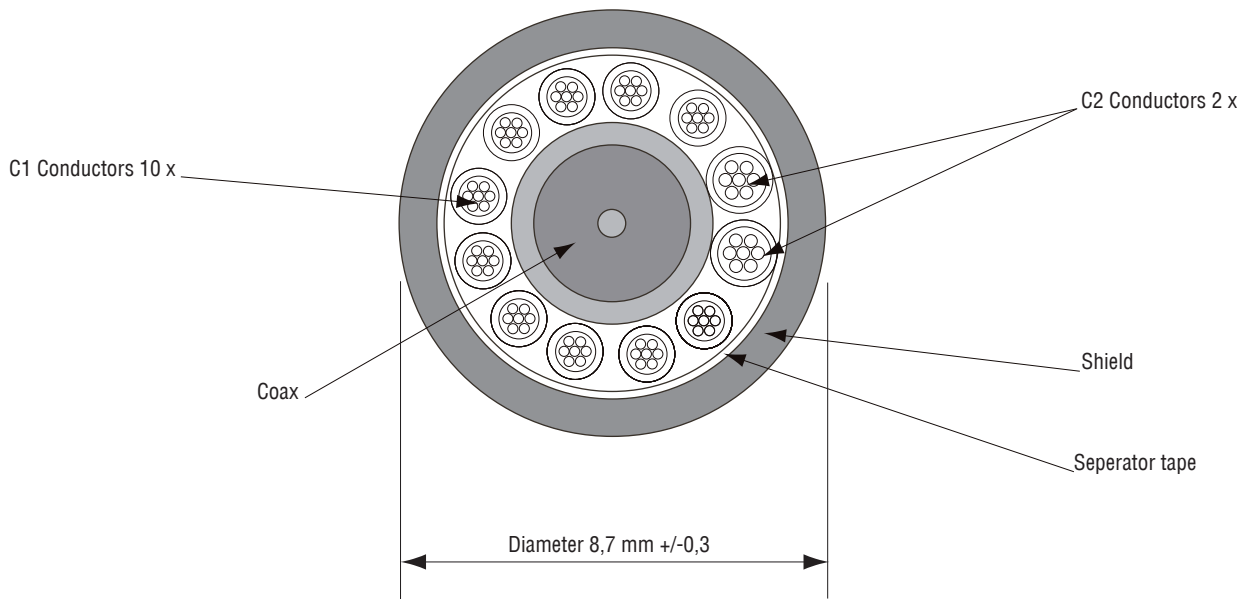
Vision is
our mission®

Multi Cable 1x coax + 12x wires PUR
Article no. 1220250
2015 • DS1220250 EN R2-0

Product Data



Cable section



TECHNICAL DATA

Multi Cable 1x Coax + 12x wires PUR

	Description
Article number	1220250
Coax	Coax Cable 7 x 0,20 mm. Shield Braided, White Foam skin.
C1 Conductor	10 x AWG24 7 x 0,20mm, tinned copper. According to UL 1581 Tab 20.1, Color: Black/white, Red/black, White, Blue. Yellow, Green, Brown, Violet, Pink, Grey.
C2 Conductor	2 x AWG20 19 x 0,20mm, tinned copper. According to UL 1581 Tab 20.1, Color: Black, Red.
Jacket	Overall diameter 8,7mm +/-0,3mm (Max), Colour: Black RAL 9005.
Shield	Braided bare copper, coverage > 85% + polyester tape.
Temperature range	-40°...+85°C.
Impedance Coax	75 Ω.
Flame-retardant	According to IEC 60332-3-25 cat. D.
Halogenfree	Cable jacket is halogenfree, conductors are not halogenfree.
Min. bending radius	Static:104,4mm.

All data subject to change without notice. All dimensions are for commercial purpose only.

The camera/display systems from Orlaco comply with the latest CE, ADR, EMC and mirror-directive regulations, where applicable.

All products are manufactured in accordance with the ISO 9001 quality management system, ISO/TS 16949 quality automotive, ISO 14001 environmental management systems and all Ex products with the IECEx scheme and ATEX directives, where applicable.

